



规格书 Specification

品类/Term: RJ45 Signal connector(outdoor use)-female socket
户外 RJ45 信号连接器-母座

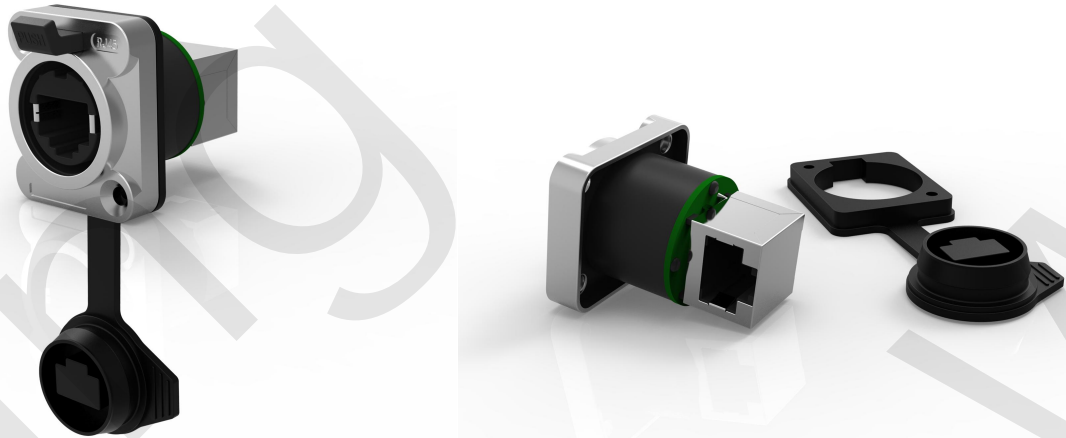
型号/Model: SW8FDYV

承认签章/Admit signature					
供应商确认/supplier			客户公司承认/customer		
工程师 engineer	审核 audit	批准 approval	工程师engineer	审核audit	批准approval
LXQ	WXW	CJY			
盖章签署 signature			盖章签署 signature		
日期/date			日期/date		

一、产品概述/Product overview:

Based on a safety lock on the basis of RJ45 connection, is widely used in professional audio, video, lighting and other network equipment, the socket is designed to become the standard in the design of industrial equipment panel installation, this type D size design perfect match the panel installation, RJ45 this wear design with metal blank and locking system at the same time, the general formula contains panel mounting screws.

基于RJ45基础上的一种安全锁定连接，被广泛运用于专业的音频，视频，灯光等网络设备，这个插座被设计成为标准的符合工业设备面板安装的款式，这种D型尺寸设计完美的配合了面板式的安装，RJ45的这种穿通式设计同时拥有金属底版和锁定系统，包含面板安装螺钉。



二、Features & Benefits 特点和优势

- Accommodates SW8MC-B or any standard RJ45 plug
能通配SW8MC-B 或任何标准的RJ45 接头
- Approved latch lock system
认可的锁定系统
- Mountable from the front or rear of the panel
从面板前部安装底板
- Complies with Cat 5e according to TIA / EIA 568B and ISO / IEC 11801 standard
符合TIA / EIA 568B and ISO / IEC 11801 的关于CAT5 的传输标准。

三、Parameter/参数信息

Product 产品

Connector Type 连接器类型	RJ45
Gender 极性	Female 母座

Electrical 电器

Contact resistance 接点电阻	< 10 mΩ
Dielectric strength 绝缘强度	1 KV DC
Frequency range 带宽频率	1 - 100 MHz
Insulation resistance 接触电阻	> 0.5 GΩ
Rated current per contact 接点额定电流	1.5 A
Rated voltage 额定电压	50 V
Transmission performance 传输等级	CAT 5e
Standard compliance 标准	TIA/EIA 586B, IEC11801

Mechanical 机械

Insertion force 插拔力	≤ 20 N
Lifetime 寿命	> 1000 mating cycles
Wiring 电线	Feed through (2 mounting screws included)
Locking device 锁定	latch lock
Mounting direction 安装方向	front & rear
Chassis shape 底板规格	D

Material 材料

Contact plating 接触电镀	0.63 μm (25u"±5u")Au over Ni plating
Contacts 接点	Bronze
Insert 插座	PA66 30%GF
Shell 外壳	Zinc diecast (ZnAl4Cu1)
Shell plating 外壳电镀	Pearl Cb

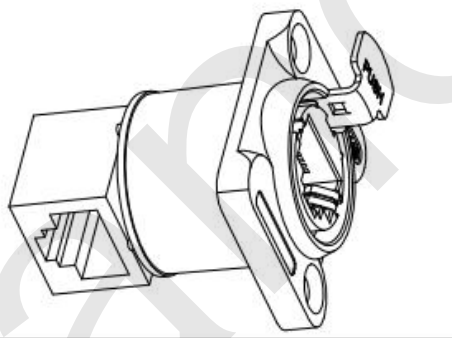
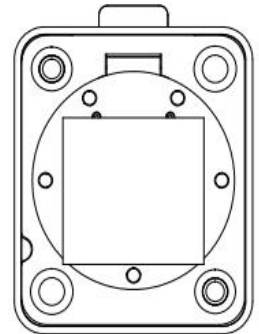
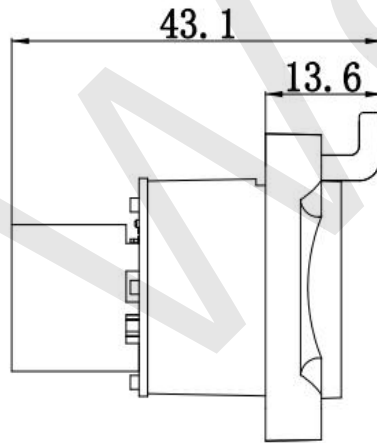
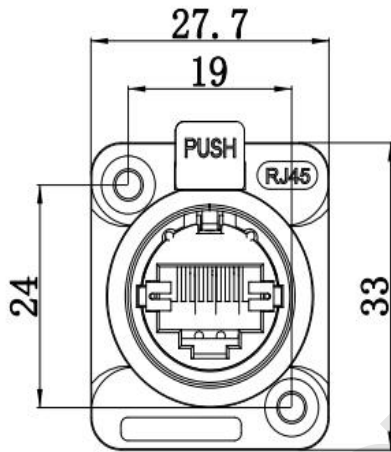
Environmental 环境

Temperature range 温度范围	-30 °C to +80 °C
Waterproof level 防水等级	IP65

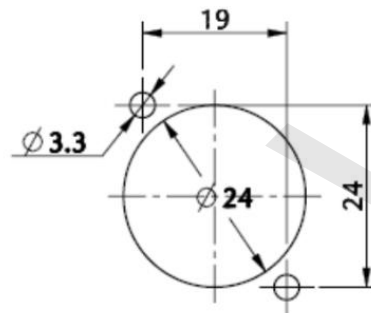
四、Engineering drawing/工程图

SW8FDYV

Unit: mm



安装开孔尺寸



Waterproof gasket/防水圈

Unit: mm

